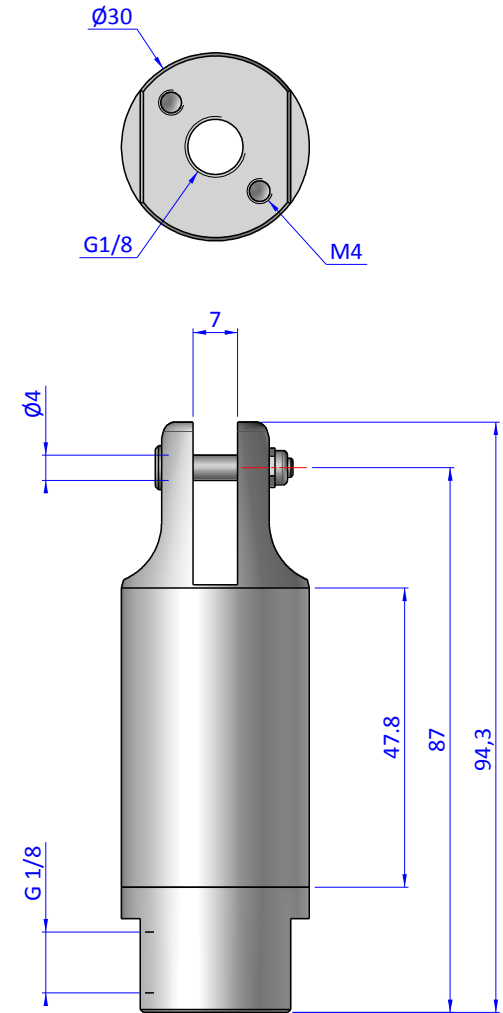
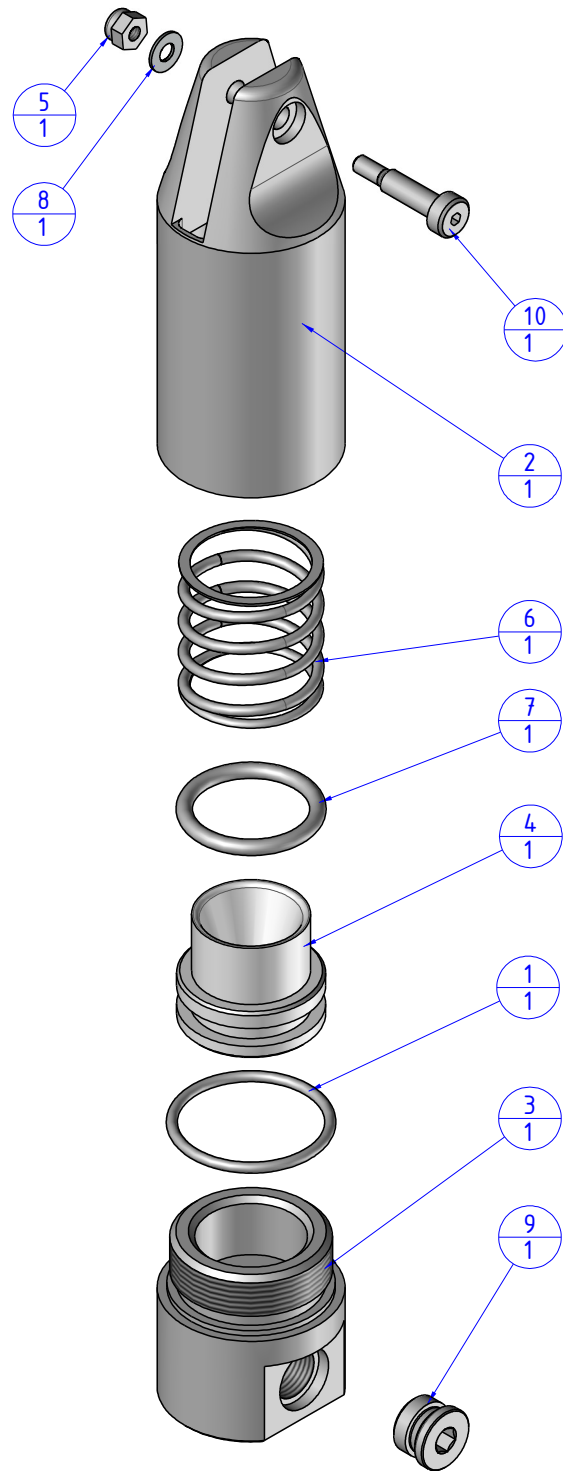



THE PROPERTY OF THE DRAWING IS ESTABLISHED BY LAW. IT IS FORBIDDEN TO PRODUCE OR SHOW IT TO THIRD PARTY, WITHOUT A WRITTEN AGREEMENT.

| Item | Name           | Q.ty |
|------|----------------|------|
| 1    | OR.2093        | 1    |
| 2    | 10.01.010.1    | 1    |
| 3    | 10.01.010.2    | 1    |
| 4    | 10.01.010.3    | 1    |
| 5    | D.3AUT         | 1    |
| 6    | M.23.1X40.5    | 1    |
| 7    | OR.3075        | 1    |
| 8    | R.3            | 1    |
| 9    | CM.S2610.18    | 1    |
| 10   | V.UMB.04.12.M3 | 1    |



Format A3

UNI 936-76

|  |  |                |         |            |
|--|--|----------------|---------|------------|
| <br><b>FPS</b><br>FPSERVICES AUTOMATION |  | DESIGNED FROM  |         | REVIEW     |
|  |  | FPS Automation |         | A          |
| GENERAL TOLERANCE  |  | DATE           | WEIGHT  |            |
| UNI - ISO 2768   |  | 15/05/2019     | 0,096kg |            |
| CLASSE f   |  | CODE           |         |            |
|  |  | CA.ATE.05M     |         | CA.ATE.05M |